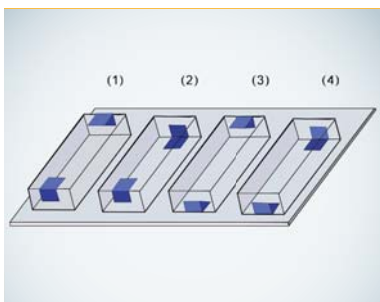


Colamark



(The transparent safety enclosure shown is an optional item)



Colamark A928 Small Carton Corner Sealing Labeling System

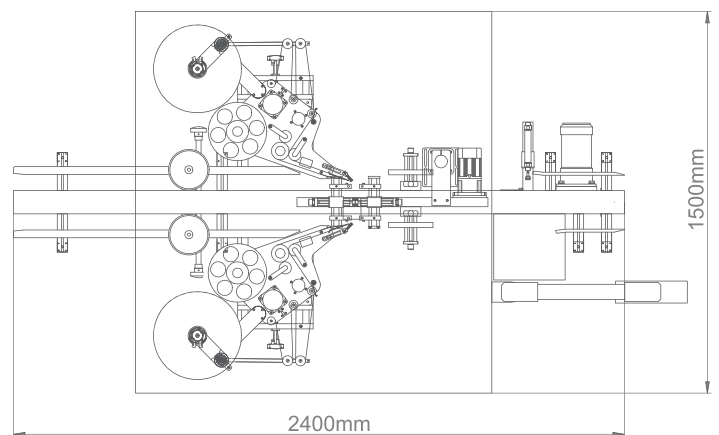
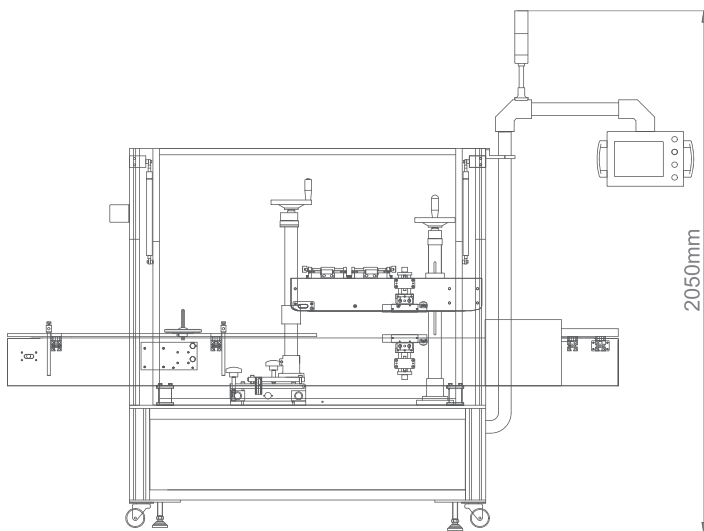
Puts corner sealing labels around the corners of small cartons for temper evidence or anti-counterfeiting purposes for the pharmaceutical industry.

Seals two corners, one at each end of the box (two upper, two lower, or diagonal) to cater for different box folding format.



Features

- Flexible dual corner sealing pattern (two upper, two lower, of diagonal)
- Powered separating wheels to ensure proper spacing between cartons
- Hold down conveyor at synchronized speed to maintain stability of cartons when labeling. Ensures labeling consistence for light weight cartons.
- Optional missing label detection and rejection
- Optional integrated safety enclosure and extra safety door lock
- Optional hot stamping coder or inkjet coder for synchronized online coding
- PLC controlled operation. User friendly touch control panel HMI.
- Full stainless steel and aluminum structure for GMP compliance



Machine Model

A928

Carton Size	Height: 20-100mm, Width: 70-200mm
Capacity	80-120 cartons/min (depending on carton size)
Labeling precision	±1 mm (not incl. errors from carton or label)
Air Pressure	0.45 - 0.6Mp (for pneumatic label adapter and rejection device)
Conveyor Width	90mm (standard)
Machine D mensions	(L)2,400mm × (W)1,500mm × (H)2,050 mm
Power Consumption	220VAC±5% 50Hz 0.7kW

(Custom engineered solutions are available to cater for customer's special needs.)

For continuous improvement on design and product innovations, all specification data are subject to change without prior notice

Colamark (Guangzhou) Labeling Equipment Limited

19 Jin Xiu Road, Economics Trade Development District, Guangzhou, China 510730

Tel: +86 20 8221 6718 Fax: +86 20 8221 5799

Colamark Asia Ltd

820 Topsail Plaza, 11 On Sum Street, Shatin, Hong Kong

Tel: +852 2634 8011 Fax: +852 3101 1140 info@colamark.com www.colamark.com

|HongKong | Guangzhou | Kunming Chengdu | Wuhan | Chongqing | Xian | Shanghai | Qingdao | Beijing | Shenyang | Harbin|